

GROVE

HYDRAULIKPUMPE VORM. HYDROSTAT
HYDR.-PUMP HYDROSTAT

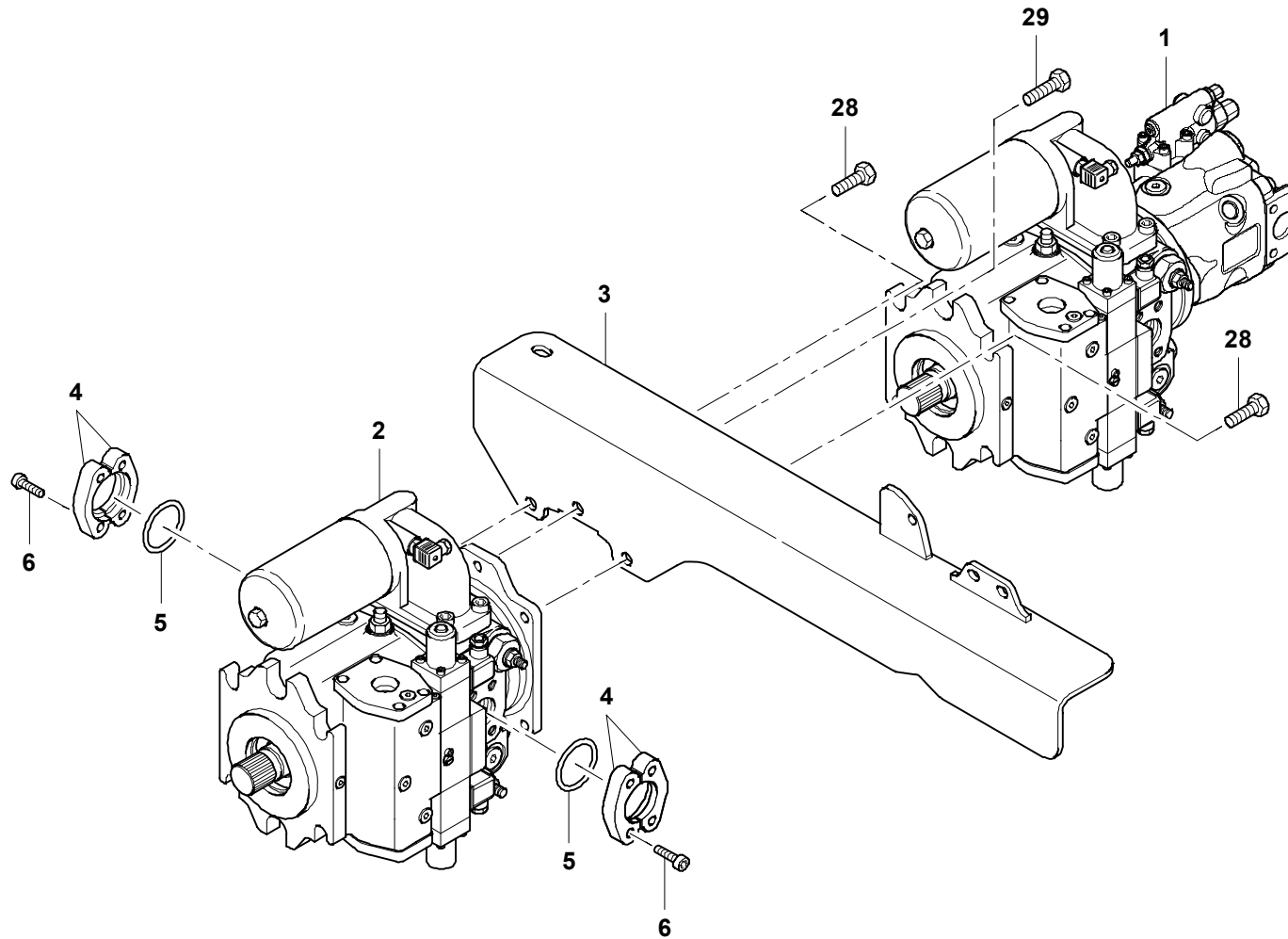
BILDТАFЕL
PICTORIAL DISPLAY

05.12

3191769-ETL H

1/3

GMK 6400
BE 506
G 781



GROVE

HYDRAULIKPUMPE VORM. HYDROSTAT
HYDR.-PUMP HYDROSTAT

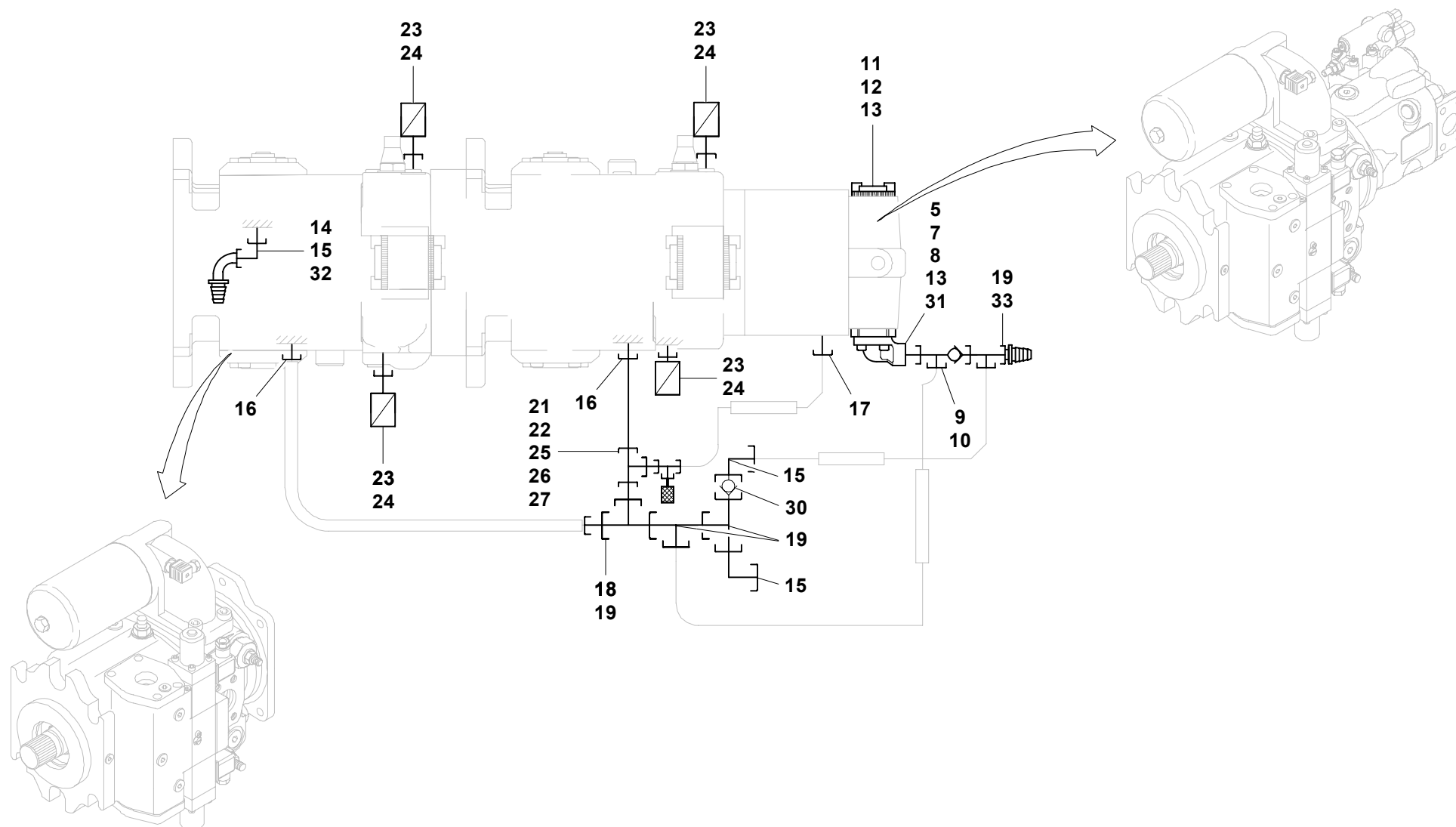
BILDТАFЕL
PICTORIAL DISPLAY

05.12

3191769-ETL H

2/3

GMK 6400
BE 506
G 781



GROVEHYDRAULIKPUMPE VORM. HYDROSTAT
HYDR.-PUMP HYDROSTATBILDТАFEL
PICTORIAL DISPLAY

05.12

3191769-ETL H

3/3

**GMK 6400
BE 506
G 781**